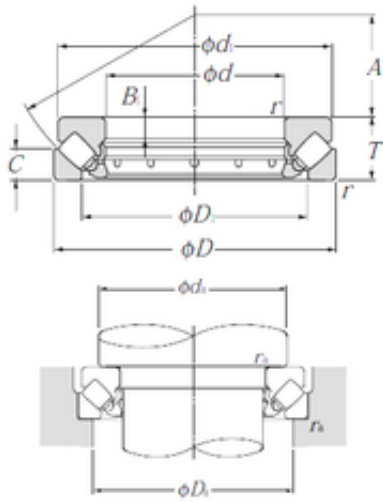




China 608zz Bearing Supplier



29392 NTN Thrust Spherical Roller Bearing

Bearing No. 29392

Size	460x710x150 mm
Bore Diameter	460 mm
Outer Diameter	710 mm
Width	150 mm
d	460 mm
D	710 mm
T	150 mm
B1	51 mm
C	72 mm
d1	685 mm
r min.	6 mm
A	257 mm
D1	567 mm
da min.	575 mm
Da max.	630 mm
ra max.	5 mm
Weight	221 Kg
Basic dynamic load rating (C)	4 200 kN
Basic static load rating (C0)	18 500 kN

29392 Bearing 2D drawings and 3D CAD models